

854176-1 ✓ ACTIVE

AMP

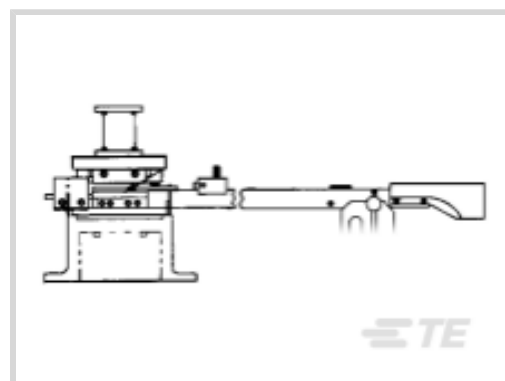
TE Internal #: 854176-1

Hand Crimping Tools, Premium Crimp Tooling, Removable /Interchangeable, TE Product Specification (114-), Pneumatic, IDC Tooling

[View on TE.com >](#)



Application Tooling > Hand Crimping Tools



Tool Grade: **Premium Crimp Tooling**

Die Sets Type: **Removable/Interchangeable**

Specification Type: **TE Product Specification (114-)**

TE Certification: **Cannot be Certified**

Power Technology Type: **Pneumatic**

Features

Other

Crimp Form-Wire Barrel Type	Insulation Displacement
Tool Grade	Premium Crimp Tooling
Die Sets Type	Removable/Interchangeable
Specification Type	TE Product Specification (114-)
TE Certification	Cannot be Certified
Power Technology Type	Pneumatic
Tooling Type	IDC Tooling

Product Compliance

[For compliance documentation, visit the product page on TE.com>](#)

EU RoHS Directive 2011/65/EU	Out of Scope
EU ELV Directive 2000/53/EC	Out of Scope
China RoHS 2 Directive MIIT Order No 32, 2016	Not reviewed for China RoHS compliance
EU REACH Regulation (EC) No. 1907/2006	Current ECHA Candidate List: JUNE 2022 (224) Candidate List Declared Against: JUL 2021 (219) Does not contain REACH SVHC
Halogen Content	Low Halogen - Br, Cl, F, I < 900 ppm per homogenous material. Also BFR/CFR/PVC

Free

Solder Process Capability

Not applicable for solder process capability

Product Compliance Disclaimer

This information is provided based on reasonable inquiry of our suppliers and represents our current actual knowledge based on the information they provided. This information is subject to change. The part numbers that TE has identified as EU RoHS compliant have a maximum concentration of 0.1% by weight in homogenous materials for lead, hexavalent chromium, mercury, PBB, PBDE, DBP, BBP, DEHP, DIBP, and 0.01% for cadmium, or qualify for an exemption to these limits as defined in the Annexes of Directive 2011/65/EU (RoHS2). Finished electrical and electronic equipment products will be CE marked as required by Directive 2011/65/EU. Components may not be CE marked. Additionally, the part numbers that TE has identified as EU ELV compliant have a maximum concentration of 0.1% by weight in homogenous materials for lead, hexavalent chromium, and mercury, and 0.01% for cadmium, or qualify for an exemption to these limits as defined in the Annexes of Directive 2000/53/EC (ELV). Regarding the REACH Regulation, the information TE provides on SVHC in articles for this part number is based on the latest European Chemicals Agency (ECHA) 'Guidance on requirements for substances in articles' posted at this URL: <https://echa.europa.eu/guidance-documents/guidance-on-reach>

Compatible Parts

 <p>TE Part # 3-644878-6 06P MTA156 ASSY ON TAPE LF</p>	 <p>TE Part # 3-640477-2 02 CIR MTA156 ASSY ON TAPE LF</p>	 <p>TE Part # 3-640477-3 03P MTA156 ASSY ON TAPE LF</p>	 <p>TE Part # 3-644878-3 03P MTA156 ASSY ON TAPE LF</p>
 <p>TE Part # 3-640477-4 04 CIR MTA156 ASSY ON TAPE LF</p>	 <p>TE Part # 3-644878-2 02P MTA156 ASSY ON TAPE LF</p>	 <p>TE Part # 3-640472-2 02P MTA156 ASSY ON TAPE LF</p>	 <p>TE Part # 3-640472-3 03P MTA156 ASSY ON TAPE LF</p>
 <p>TE Part # 3-640472-4 04P MTA156 ASSY ON TAPE LF</p>	 <p>TE Part # 3-640472-5 05P MTA156 ASSY ON TAPE LF</p>	 <p>TE Part # 3-640472-6 06P MTA156 ASSY ON TAPE LF</p>	 <p>TE Part # 3-640472-7 07P MTA156 ASSY ON TAPE LF</p>



Documents

Datasheets & Catalog Pages

MTA Portable Tooling Solutions

English

Bottoming Dies

English

Instruction Sheets

Die Set Assembly 854176-1 & Base Assembly 854200-1 f/MTA-.156 Closed-

English

Instruction Sheet (U.S.)

English